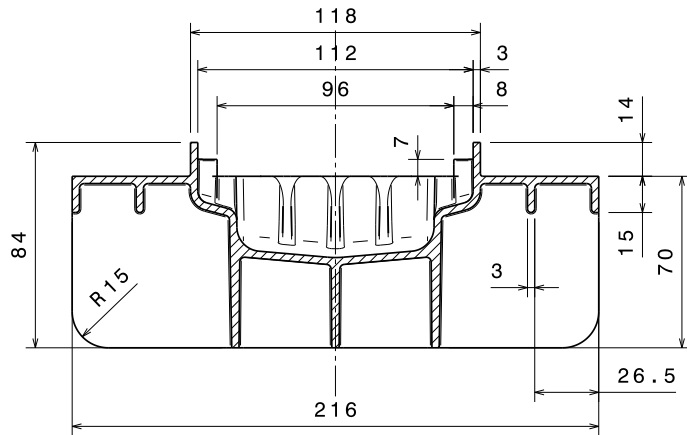
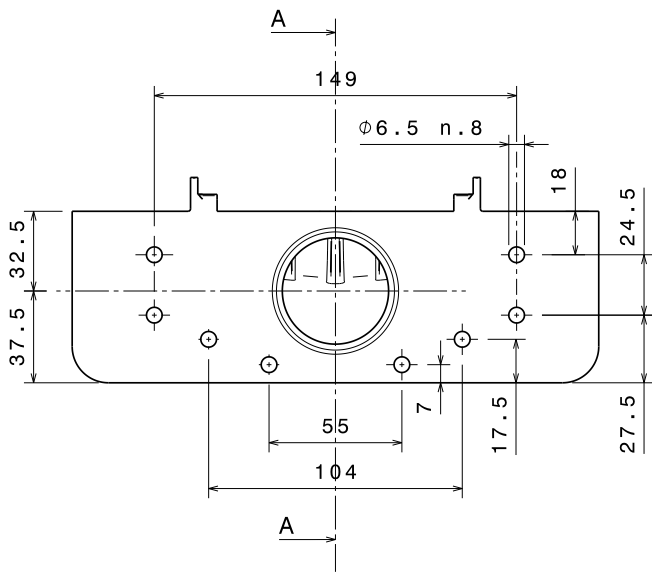
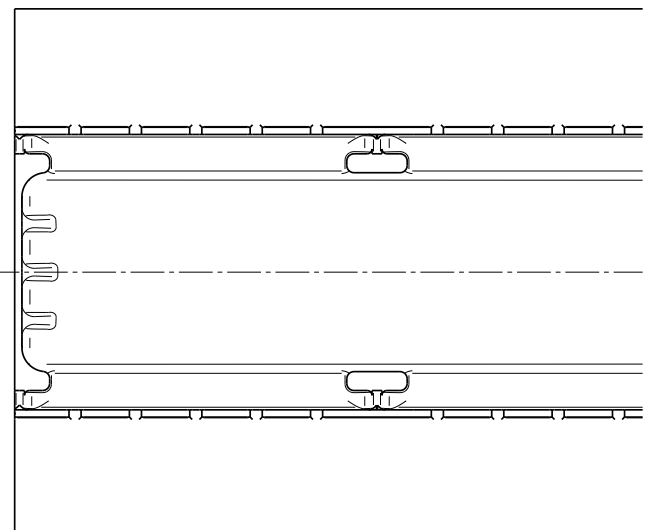
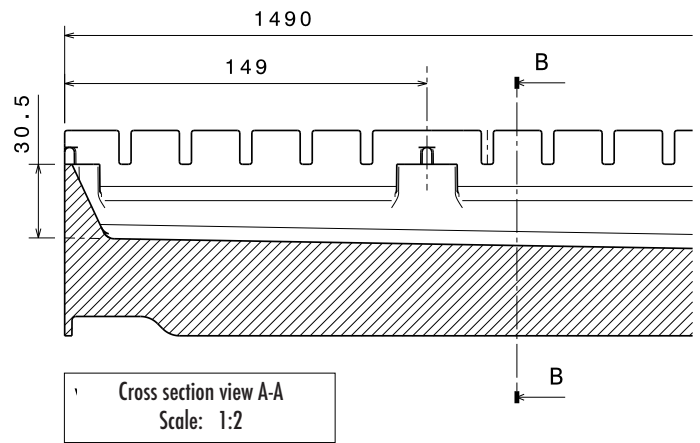
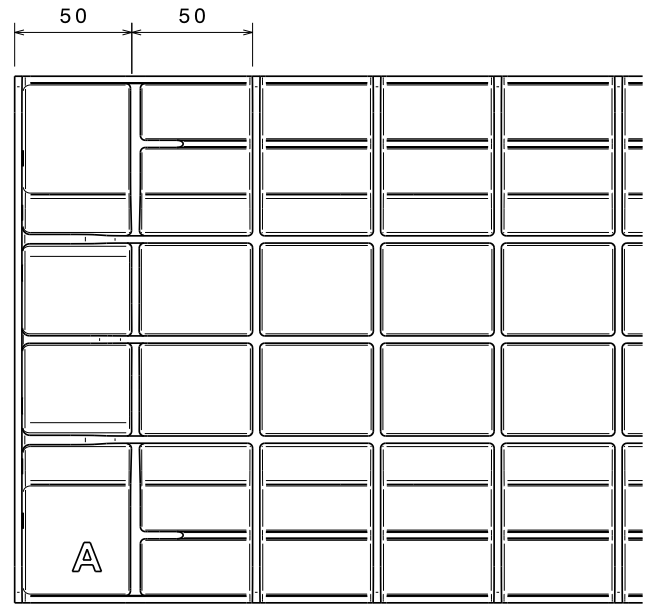


# Tecnochannel Technical Drawing



Cross section view B-B  
Scale: 1:2



NOTES: general tolerances on dimensions  $\pm 0,5\%$